



High-Speed Cables

Enhanced Full Size DP Cable / Connector Type 1

VESA® Certificated DP40 Cable
in the World



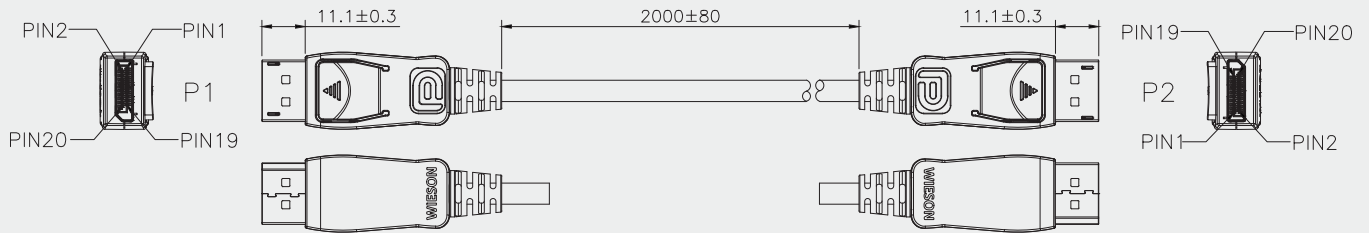
DP 40 Gbps
DisplayPort™

DisplayPort™ (DP) standard specifies an open digital communications interface for use in both internal connections, such as interfaces within a PC or monitor, and external display connections. Suitable external display connections include interfaces between a PC and monitor or projector, between a PC and TV, or between a device such as a DVD player and TV display.

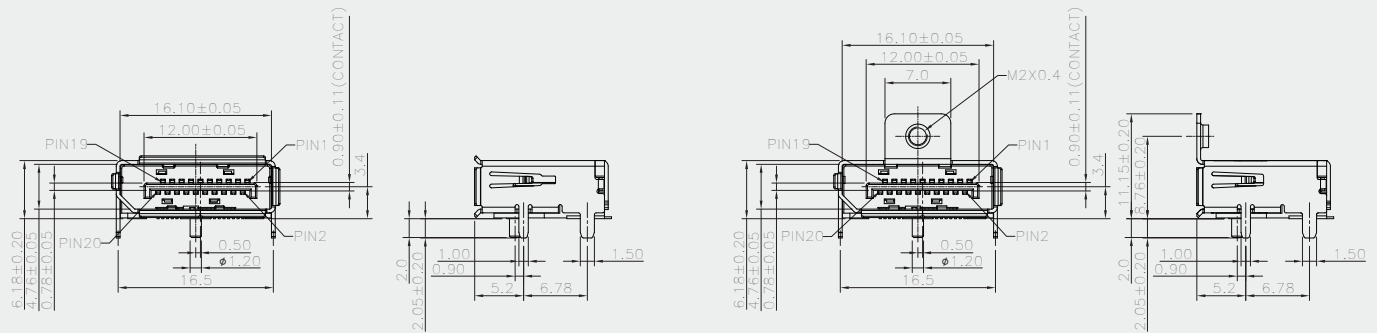
High-Speed Cables

Enhanced Full Size DP Cable / Connector Type1

Dimensions



Enhanced Full Size DP Cable



Enhanced Full Size DP Receptacle Type1

Product Descriptions

- Connector Max. Bandwidth up to 54Gbps (13.5Gbps/lane)
- Follow VESA Enhanced DP2.1 Spec.
- Compatible with legacy version DP 1.4/2.0
- Cable ID for Data Rate Detection
- Certified by VESA Association
- Support over 8K Resolution

Products List

Wieson P/N	Length	Product Name	Data Rate	Cable Structure
AB9857-30402020-00	2m	Enhanced Full Size DP Cable	DP40/UHBR10	30AWG, Pairs Wire
AC3167-02001301-HH		Enhanced Full Size DP Connector	DP54/UHBR13.5(Max)	
AC3167-07001101-HH		Enhanced Full Size DP Connector, Screw Hole Type	DP54/UHBR13.5(Max)	

WIESON TECHNOLOGIES CO.,LTD.



Address: 15F, No.237, Sec.1, Datong Rd.,
Xizhi Dist., New Taipei City 22161, Taiwan
E-mail: service@wieson.com
Website: www.wieson.com