



# High-Speed Cables

## Enhanced mini DP Cable / Connector

VESA® mDP Cable



**D** 80 Gbps  
DisplayPort™

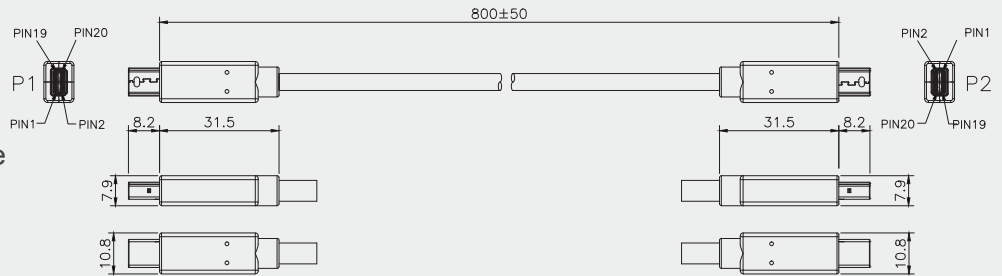
DisplayPort™ (DP) standard specifies an open digital communications interface for use in both internal connections, such as interfaces within a PC or monitor, and external display connections. Suitable external display connections include interfaces between a PC and monitor or projector, between a PC and TV, or between a device such as a DVD player and TV display.

# High-Speed Cables

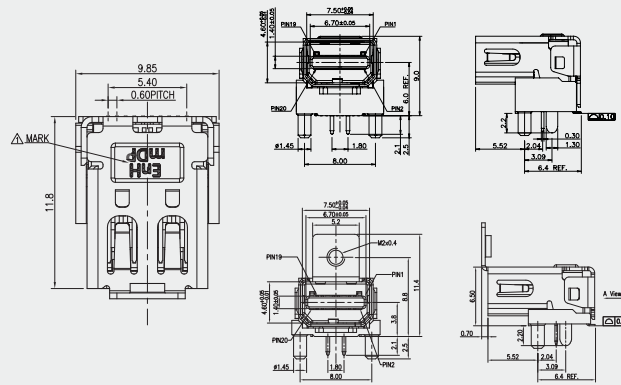
## Enhanced mDP Cable / Connector

### Dimensions

Enhanced mDP80  
0.8 Meter 30AWG Pairs Wire



Enhanced mDP Receptacle



### Product Descriptions

- Max. Bandwidth up to 80Gbps (20Gbps/lane)
- Follow VESA Enhanced DP2.1 Spec.
- Compatible with legacy version DP 1.4/2.0
- Cable ID for Data Rate Detection
- DP80 Cable Supports UHBR20

### Products List

Wieson P/N	Length	Product Name	Data Rate	Cable Structure
AB9858-40402010-00	0.8m	Enhanced mDP Cable	DP80/UHBR20	30AWG, Pairs Wire
AC3167-04000001-H0		Enhanced mDP Connector/6H	DP80/UHBR20	
AC3167-05100001-H0		Enhanced mDP Connector/3.8H	DP80/UHBR20	

WIESON TECHNOLOGIES CO.,LTD.



Address: 15F, No.237, Sec.1, Datong Rd.,  
Xizhi Dist., New Taipei City 22161, Taiwan  
E-mail: [service@wieson.com](mailto:service@wieson.com)  
Website: [www.wieson.com](http://www.wieson.com)